

## A.F.T. Coupling

AFT couplings (compression type) made of ductile iron, inside and outside coated with fusion bond epoxy atoxic and suitable for potable water (min. 250 microns), complete with rubber gaskets (EPDM or NBR) and galvanised steel nuts, bolts and washers. The special section and compound of the gaskets allow vibration absorption, end movements and angular deflection. The AFT couplings may be used to joint different pipe materials with different outside diameters. The range of 30 mm reduce stock level required for maintenance and repair of pipelines.

Available in a range from 50mm up to 600mm.

Working pressure : Water, up to 16 bar.

Remarks: In case of long period of stock in hot and dry places we suggest to lubricate the outer part of rubber gaskets before installation.



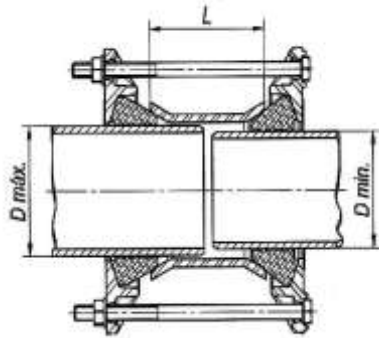
A Ductile iron end rings : GGG DIN 1693

B Ductile iron body : GGG DIN 1693

C Rubber seal gasket : EPDM to EN-681-1

D Galvanized steel bolts, washers and nuts

## A.F.T. Coupling



Range of application	L	Bolts Size & nos.	Application											
			PVC		Asbestos Cement pipes					Ductile iron pipes		Steel pipes		
			OD	DN	CL. 6	CL. 10	CL. 12,5	CL. 15	CI 17,5	DN	OD	DN	OD	
<b>25 - 55</b>	110	12x220 N. 3	25 32 50							30	40	30 40	1¼ 1½	42,4 48,3
<b>39 - 69</b>	110	12x220 N. 3	50 63	50	68	68	68	68	68	30 40 50	44 56 66	30 40 50	1¼ 1½ 2	42,4 48,3 60,3
<b>46 - 76</b>	110	12x220 N. 3	63 75	50	68	68	68	68	68	40 50	55 66	40 50 60	1½ 2	48,3 60,3 70
<b>57 - 87</b>	110	12x220 N. 4	63 75	50 60	68 78	68 78	68 78	68 78	68 82	50 60 65	66 77 82	50 60 70	2 2½	60,3 70 76,1
<b>78 - 108</b>	110	12x220 N. 4	90	60 70 80 90	78 88 98 108	78 88 98	78 88 102	78 88 106	82 92	65 70 80	82 88 90	80	3	88,9
<b>87 - 117</b>	110	12x220 N. 4	90 110	70 80 90	88 98 108	88 98 110	88 102 112	88 106 112	92 110 114	70 80 90	88 98 109	80 100	3 4	88,9 114,3
<b>100 - 130</b>	110	12x220 N. 4	110 125	80 90 100	108 118	110 120	102 112 126	106 112	110 114	90 100	109 118	100	4	114,3
<b>117 - 147</b>	110	12x250 N. 4	125 140	100 125	118 143	120 147	126 132	136	100 125	118 144	125	5	139,7	

<b>129 - 159</b>	120	12x250 N. 4	140	100 125	143	147	153	132 159	136	125	144	125	5	139,7
<b>138 - 168</b>	120	12x250 N. 4	140 160	125 150	143 168	147	153	159	165	125	144	125 150	5 6	139,7 165,1
<b>152 - 182</b>	120	16x250 N. 4	160 180	125 150	168	174	153 182	159	165	150	170	150	6	165,1
<b>172 - 202</b>	120	16x250 N. 4	180 200	150 175	195	174 201	182	190	196	175	197	175		191
<b>186 - 216</b>	120	16x250 N. 4	200	150 175	195	201	211	190	196	175	197	175		191
<b>198 - 228</b>	120	16x250 N. 4	200 225	175 200	222	201	211	219	227	200	222	200	8	219
<b>208 - 238</b>		*												
<b>218 - 253</b>	130	16x280 N. 4	225 250	175 200 225	222 249	234 253	244	219 252	297	200 225	222 248	200 225	8	219 241
<b>245 - 280</b>	130	16x280 N. 4	250 280	200 225 250	249 276	253	269	252	262	225 250	248 274	250	10	273
<b>266 - 301</b>	140	16x320 N. 6	280	225 250	276	286	269 296	281	293	250 275	274 300	250 275	10	273 292
<b>314 - 349</b>	140	16x320 N. 6	315	250 300	330	344			318	300	326	300	12	324

REMARK :

DIMENSIONS ARE GIVEN IN MILLIMETRES AND ARE APPROXIMATE IN ALL CASES. ILLUSTRATIONS ARE ACTUAL REPRESENTATION OF A CERTAIN SIZE OF EACH LINE OF PRODUCTS BUT NOT NECESSARY REPRESENT ALL NOTICE DUE TO CONTINUING PROGRAMME OF PRODUCTION IMPROVEMENTS. WE RESERVE THE RIGHT TO MAKE ALL THE MODIFICATIONS TO THE INFORMATION HERE CONTAINER THAT WE CONSIDER TO BE NECESSARY FOR PRODUCTION REASONS, WITHOUT ANY ADVANCED NOTIFICATION, EVEN IN THE MIDDLE OF SUPPLYING THE MATERIALS HERE ILLUSTRATED.