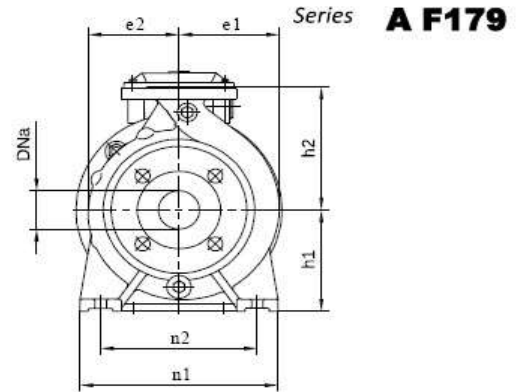
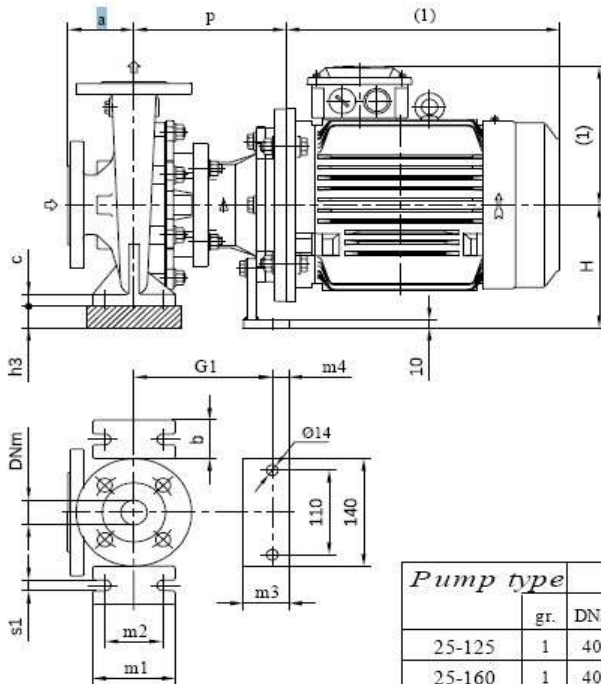


Monostage Horizontal Pumps AF179

MONOSTAGE HORIZONTAL PUMPS



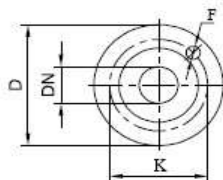
FLANGES: Dimensions to UNI 2223-2229 NP16 standards

(h3) Raising pads for motor-pump alignment are not supplied by pompe travanti

(1) Not certified dimensions according to installed motor manufacture.

Motor foot dimensions		
group	m3	m4
1-2	55	20
3	200	100

Flanges dimensions				
DNa-DNm	D	K	F	holes
25	115	85	14	4
32	140	100	18	4
40	150	110	18	4
50	165	125	18	4
65	185	145	18	4
80	200	160	18	8
100	220	180	18	8
125	250	210	18	8
150	285	240	22	8
200	340	295	22	12



Pump type	Construction dimensions														
	gr.	DNa	DNm	a	h1	h2	b	c	m1	m2	n1	n2	s1	e1	e2
25-125	1	40	25	80	112	140	50	15	100	70	190	190	14	95	90
25-160	1	40	25	80	132	160	50	16	100	70	240	190	14	110	108
25-200	1	40	25	80	160	180	50	16	100	70	240	190	14	133	128
32-125	1	50	32	80	112	140	50	15	100	70	190	140	14	105	91
32-160	1	50	32	80	132	160	50	16	100	70	240	190	14	125	110
32-200	1	50	32	80	160	180	50	16	100	70	240	190	14	140	130
40-125	1	65	40	80	112	140	50	15	100	70	210	160	14	115	100
40-160	1	65	40	80	132	160	50	16	100	70	240	190	14	130	115
40-200	1	65	40	100	160	180	50	16	100	70	265	212	14	146	135
50-125	1	80	50	100	132	160	50	16	100	70	240	190	14	130	110
50-160	1	80	50	100	160	180	50	16	100	70	265	212	14	147	125
50-200	1	80	50	100	160	200	50	16	100	70	265	212	14	161	146
65-125	1	100	65	100	160	180	65	16	125	95	280	212	14	145	117
32-250	2	50	32	100	180	225	65	18	125	95	320	250	14	166	162
40-250	2	65	40	100	180	225	65	18	125	95	320	250	14	176	163
40-315	2	65	40	125	200	250	65	18	125	95	345	280	14	205	200
50-250	2	80	50	125	180	225	65	18	125	95	320	250	14	183	169
50-315	2	80	50	125	225	280	65	18	125	95	345	280	14	210	197
65-160	2	100	65	100	160	200	65	16	125	95	280	212	14	160	130
65-200	2	100	65	100	180	225	65	18	125	95	320	250	14	174	152
65-250	2	100	65	125	200	250	80	20	160	120	360	280	18	195	175
80-160	2	125	80	125	180	225	65	16	125	95	320	250	14	186	142
80-200	2	125	80	125	180	250	65	18	125	95	345	280	14	188	158
80-250	2	125	80	125	225	280	80	20	160	120	400	315	18	225	185
100-200	2	125	100	125	200	280	80	20	160	120	360	280	18	211	170
100-250	3	125	100	140	225	280	80	20	160	120	400	315	18	215	183
125-250	3	150	125	140	250	355	80	20	160	120	400	315	18	245	200
150-250	3	200	150	160	280	375	100	22	200	150	500	400	22	300	240

SCARDANA®

Tel: (1) 450-465-6556
Fax: (1) 450-671-3898

Email: sales@scardana.com
Web: www.scardana.com

MONOSTAGE HORIZONTAL PUMPS

Series **A F179**

Overall Dimensions

Pump type	motor 80-90				motor 100-112					motor 132					motor 160					motor 180 - 200
	gr.	p	G1	Weight	p	G1	h3	H	Weight	p	G1	h3	H	Weight	p	G1	h3	H	Weight	
25-125	1	158	116	21.5	183	116	20	132	25.5	207	115	48	160	26.5	236	115	68	180	40	
25-160	1	160	168	26	185	118	-	-	30	209	167	28	160	31.5	238	167	48	180	44.5	
25-200	1	158.5	166.5	33	183.5	166.5	-	-	37	207.5	165.5	-	160	38.5	236.5	165.5	20	180	51.5	
32-125	1	160	118	24.5	185	118	20	132	28.5	209	117	48	160	29.5	238	117	68	180	43	
32-160	1	160	168	29	185	118	-	-	33	209	167	28	160	34	238	167	48	180	47	
32-200	1	160	168	36	185	168	-	-	40	209	167	-	160	41	238	167	20	180	54.5	
40-125	1	160	118	26.5	185	118	20	132	30.5	209	117	48	160	31.5	238	117	68	180	44.5	
40-160	1	160	168	30.5	185	118	-	-	34.5	209	167	28	160	35.5	238	167	48	180	48.5	
40-200	1	160	168	39	185	168	-	-	43	209	167	-	160	44	238	167	20	180	57	
50-125	1	160	121	31	185	121	-	-	35	209	120	28	160	36	238	120	48	180	49	
50-160	1	160	168	36.5	185	168	-	-	40.5	209	167	-	160	42	238	167	20	180	55	
50-200	1	160	168	43	185	168	-	-	47	209	167	-	160	48	238	167	20	180	61	
65-125	1	165	173	39	190	173	-	-	43	214	172	-	160	44	243	172	20	180	57	
32-250	2	173.5	181.5	55	198.5	181.5	-	-	59	222.5	180.5	-	180	60.5	251.5	180.5	-	180	74	
40-250	2	175	183	56	200	183	-	-	60	224	182	-	180	61.5	253	182	-	180	75	
40-315	2	173.5	181.5	72	198.5	181.5	-	-	76.5	222.5	180.5	-	200	77.5	251.5	180.5	-	200	91	
50-250	2	173.5	181.5	58	198.5	181.5	-	-	62.5	222.5	180.5	-	180	64	251.5	180.5	-	180	77.5	
50-315	2	173.5	181.5	77.5	198.5	181.5	-	-	82	222.5	180.5	-	225	83	251.5	180.5	-	225	97	
65-160	2	175	183	45	200	183	-	-	49	224	182	-	160	50.5	253	182	20	180	64	
65-200	2	175	183	52	200	183	-	-	56	224	182	-	180	57.5	253	182	-	180	71	
65-250	2	173.5	181.5	68.5	198.5	181.5	-	-	73	222.5	180.5	-	200	74	251.5	180.5	-	200	87.5	
80-160	2	175	184	56.5	200	184	-	-	61	224	183	-	180	62	253	183	-	180	75.5	
80-200	2	173.5	181.5	57.5	198.5	181.5	-	-	62	222.5	180.5	-	180	63	251.5	180.5	-	180	77	
80-250	2	173.5	181.5	79	198.5	181.5	-	-	83.5	222.5	180.5	-	225	85	251.5	180.5	-	225	98.5	
100-200	2	178	183	72	203	183	-	-	76.5	227	182	-	200	77.5	256	182	-	200	91	
100-250	3									236	279	-	225	102						
125-250	3									236	279	-	250	118						
150-250	3									-	-	-	-	-						

Electric Motors				
Frame size IEC	RPM 1450		RPM 2900	
	kW	HP	kW	HP
80 M	0.55	0.7	0.75	1
	0.75	1	1.1	1.5
90 S	1.1	1.5	1.5	2
90 L	1.5	2	2.2	3
100 L	2.2	3	3	4
	3	4		
112 M	4	5.5	4	5.5
132 S	5.5	7.5	5.5-7.5	7.5-10
132 M	7.5	10		
160 M	11	15	11-15	15-20
160 L	15	20		
180 M	18.5	25	22	30
180 L	22	30		
200 L	30	40		

(h3) Raising pads for motor-pump alignment are not supplied by pompetravaini.

Schematic drawing. Dimensions in mm with tolerances to EN 735-1995 standards.

Weights in Kgs, referred to pumps in cast iron without motor, not certified.

SCARDANA®

Tel: (1) 450-465-6556

Fax: (1) 450-671-3898

E-mail: sales@scardana.com

Web: www.scardana.com

Procurement + Logistics Contractors